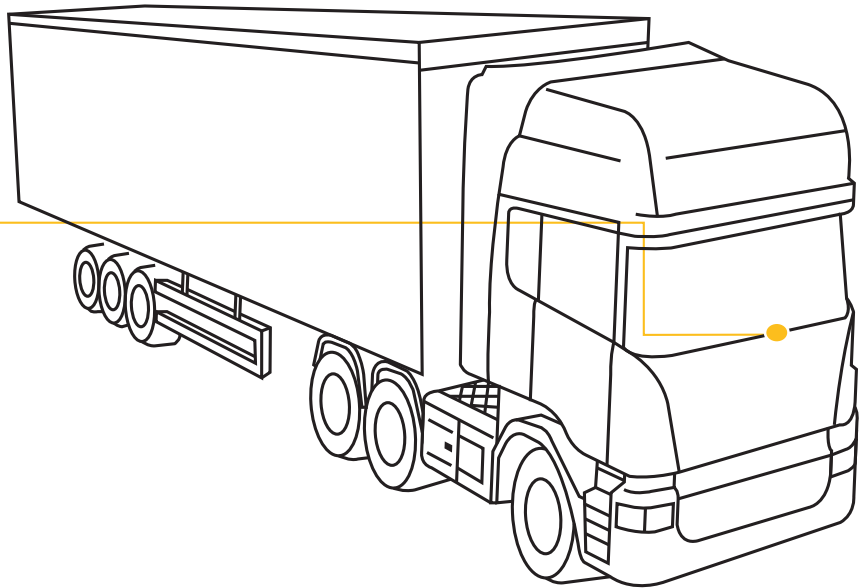




Vehicle Technology.

SQUARELL FLEX



SQUARELL FLEX

FLEX is a multi source vehicle data interface. FLEX is part of the range of Squarell products for advanced vehicle data solutions. With configurable functionality and extended connectivity FLEX can be used in automotive applications like Telematics, Real time monitoring, Measurement & Control or Interfacing.



FEATURES

- Compatible for 12V and 24V vehicles
- Single bolt mount for secure, easy installation
- Programmable flash pattern – 20 options
- Reg 65 and Reg 10 approved and IP67
- Designed for tough professional use
- Magnetic bolt version available (RCV9822)
- Three year warranty

ACCESSORY

- TRK-SQR-DATACLIQ
- DATA CLIQ CABLE J1708

