



PTCarPhone 5 Series

First-class hands-free system

- Aftermarket-ready car phone for all vehicles
- Fixed installation – no risk of loss
- Removable handset and second handset option
- Antenna connection delivers optimum reception quality
- No radiation in the vehicle
- Huge phone book memory for up to 5.000 contacts
- Automatic radio muting
- Individually adjustable operating modes (restrictions)
- Outstanding voice and sound quality
- Echo and noise cancellation
- Virtual ignition and HD Voice
- 6 digital inputs and outputs
- Data transmission via GPRS, EDGE, UMTS or HSPA+
- Send and receive SMS messages
- Integrated GPS module (PTCarPhone 530)
- Free software updates (Over-the-Air)



TheCar Phone for Professionals

The PTCarPhone system is the perfect choice to fit out a vehicle with a hands-free kit that satisfies the highest standards. All radiation is banned from the vehicle's interior thanks to the external antenna connection, which also guarantees excellent reception.

The hands-free system's voice quality and ease of use is unrivalled, especially for long phone calls. It is the ideal companion in the car. That's how the PTCarPhone system surpasses all Bluetooth® solutions.



Second handset

The second handset is the perfect accessory for vehicles with separate passenger cabin, like for example limousine services or ambulances. Especially in the emergency sector, it is crucial to communicate life-saving information clearly and intelligibly to the operation centre and to be contactable at any time.

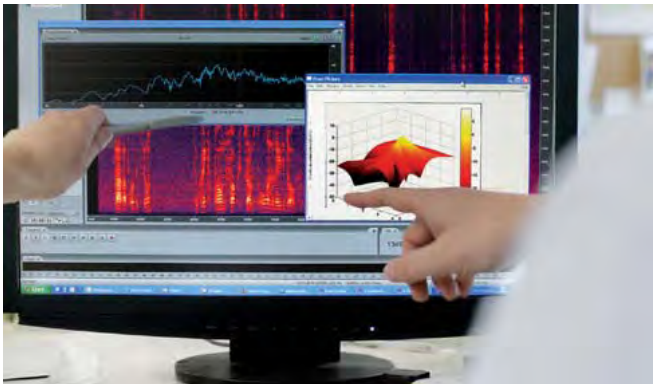
- Two handsets easy linked up to one system via Plug & Play
- Forwarding calls between the two handsets
- Sending and receiving SMS messages
- Brightness and call volume separately adjustable
- Intercom function between the two handsets

By lifting the handset from the cradle it will switch from the hands-free mode to the private mode – it's that simple.



Reliable and of Premium Quality

Due to effective cancellation of echoes, ambient and background noise, the PTCarPhone is especially suited for noisy driver's cabins, which makes it the ideal choice for vehicle fleets of logistics, taxi, bus and car hire companies as well as public authorities and emergency and rescue services. Additional to the well-proven Clear Voice & Sound Technology, two of the three models of the PTCarPhone 5 Series offer HD Voice integration. The HD Voice standard allows a much more natural and clear voice transmission.



Clear Voice & Sound Technology

Combining digital signal processing and accurate acoustic measuring in a specific way is the foundation of today's PTCarPhone.

A high-end retrofitting hands-free system for a great diversity of vehicles. The PTCarPhone is the perfect example for our microphone technology and expertise in the field of acoustics.

HD Voice

The HD Voice standard enables a much more natural and clear voice transmission. Additionally, this technology contributes to improve the cancellation of disturbing background noises to ensure, that even in very noisy environments an excellent acoustic quality is still guaranteed. During phone calls with a number of participants, like for example conference calls, HD Voice ensures better comprehensibility and clarity.

GSM telephony transmits a frequency range of 300Hz to 3.4 kHz. The HD Voice frequency range is extended to a range of 80 Hz to 7 kHz.

HD Voice is only available, if both participants are using a HD Voice enabled device and additionally, this feature is supported by the mobile network operator.

Technology

Clear voice and sound

Compare key criteria to judge the voice and sound quality in hands-free mode



- 1. PTCarPhone systems
- 2. Factory-installed phone
- 3. Bluetooth® hands-free kit
- * With HD Voice

Modern Microphone Technology

Microphones for hands-free phone use in vehicles have been an integral part of the peiker and pei tel portfolio from the start. In step with advances in microphone technology, we continuously develop our acoustic expertise in terms of signal quality and noise cancellation. We excel in several areas in particular:

- State-of-the-art microphone technology based on decades of experience and extensive acoustic know-how
- Outstanding expertise in digital signal processing
- Acoustically optimised, individual designs to fit various vehicle settings

German Technology

As a specialist in professional mobile radio, pei tel also has focused on customer-oriented acoustic applications. With our systems and development platforms, which are used in both hands-free systems and handsets, we set technological standards, so our products deliver the quality customers deserve.

- Customised solutions for communication and telematics
- Cross-product synergies and strategic partnerships
- Innovative development and production technologies
- Compliance with the required standards and processes



Digital Inputs & Outputs

The PTCarPhone 5 Series offers, like its predecessors, several connection possibilities for external devices, like for example acoustic or optical signaling equipment, which is mounted on the roof of forest machinery. In this way, incoming calls can be signaled as well outside of the vehicle e.g. by the lightening up of a rotating beacon or the sound of a ring tone.

Another option, which can be realized with digital I/Os, could be a panic button. When pressed, the number of a control center or police station will be dialed indiscernible to trigger an alarm.

- 6 digital inputs and outputs
- Freely programmable via the handset menu

Models

PTCarPhone 510	GSM: 850, 900, 1800, 1900 MHz GPRS
PTCarPhone 520	GSM: 850, 900, 1800, 1900 MHz GPRS / EDGE / UMTS / HSPA+ UMTS (3G): 800/850, 900, 2100 MHz USB modem function and HD Voice
PTCarPhone 530	GSM: 850, 900, 1800, 1900 MHz GPRS / EDGE / UMTS / HSPA+ UMTS (3G): 800/850, 900, AWS 1700, 1900, 2100 MHz USB modem function and HD Voice GPS tracking

A wide product range, professional performance characteristics and various installation options for all vehicle types make it the ideal choice in the following sectors:

- Company cars and fleets
- Safety and emergencies
- Transport and logistics
- Taxis and buses
- Car rental agencies
- Limousine services

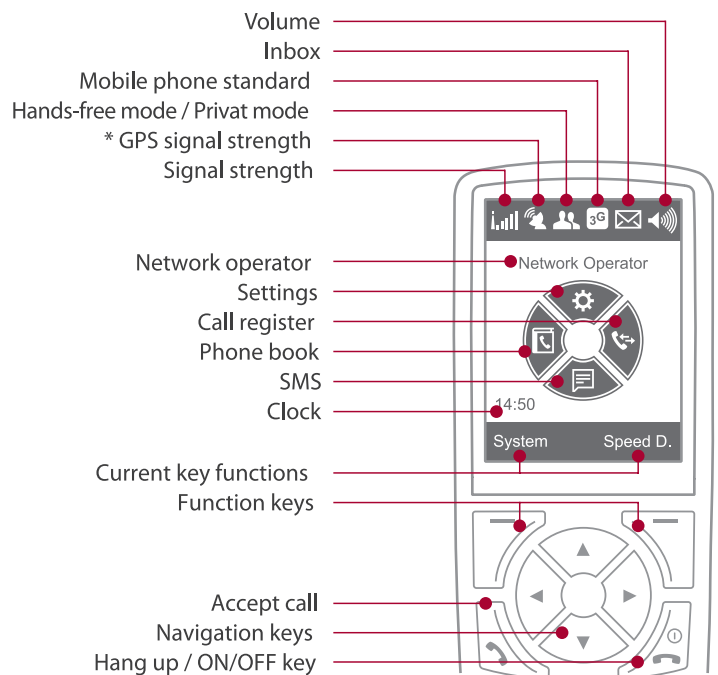
Mobile Internet via USB

The PTCarPhone 5 Series is the first PTCarPhone generation that offers the possibility to link up a PC via USB. The PTCarPhone can be used as a mobile modem. This new feature opens up a lot more different applications.

The driver for example could enter information into a web interface or orders could be transmitted to a computer on-board.

Setting up the connection is not difficult. After the driver installation, the PC can be connected to the PTCarPhone with a standard mini USB cable.

All phone features can still be used in their usual way during an active UMTS internet connection.



Handsfree Group

6 Lumsdale Road • Cobra Court • Trafford Park • Manchester • M32 0UT

Telephone: 0161 864 6440 • www.vehicletechstore.co.uk • sales@handsfree.co.uk

A division of Handsfree Group • Registered number 5519584 • VAT Reg. 834 5512 33